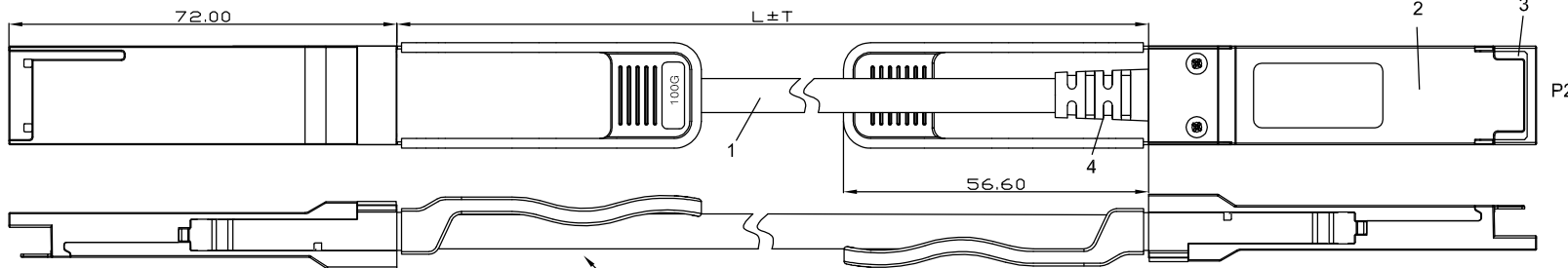
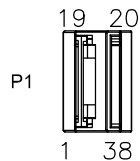


产品名称

100G 30AWG



1. CABLE:

CONDUCTOR: 30 AWG SOLID SILVER PLATED COPPER.  
 INSULATION:FOAM POLYOLEFIN.  
 PAIR: 2 SINGLES LAID FLAT AND PARALLEL.  
 DRAIN WIRE: 30 AWG SOLID SILVER PLATED COPPER.  
 PAIR SHIELD: ALUMINUM/POLYESTER TAPE, ALUMINUM SIDE FACING IN, 25% OVERLAP.  
 INNER SHIELD: ALUMINUM/POLYESTER TAPE, ALUMINUM SIDE FACING OUT, 25% OVERLAP.  
 OUTER SHIELD: 38 AWG TIN PLATED COPPER BRAID, 85% COVERAGE.  
 JACKET: PVC OUTER DIA:6.50±0.15mm NOMINAL.COLOR:BLACK.  
 Note: "YYYY/MM/DD" means year/month/date.  
 "XXXXXXM" means continuous length.  
 DIFFERENTIAL IMPEDANCE: 100±5 OHMS @ TDR  
 UL LISTING: UL20276.

100G 30AWG

2. CONNECTOR:

P1,P2: 4X-PLUGGABLE-QSFP(SFF-8436)  
 (1) P.C.B: 6 LAYERS,M6 30μ" HARD GOLD ON CONTACTS.  
 (2) LATCH: STAINLESS STEEL WITH PULL TAB.  
 (3) BACKSHELL- ZINC DIE CASTING HOOD/ NICKEL PLATING.

3. FOR INFIBAND DDR.

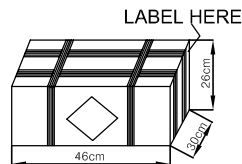
4. TWO-WIRE SERIAL EEPROM MEMORY: 24C02B. 256 BYTES.  
 DIGITAL MONITORING & PAGE SELECTING NOT SUPPORTED.

PACKING:

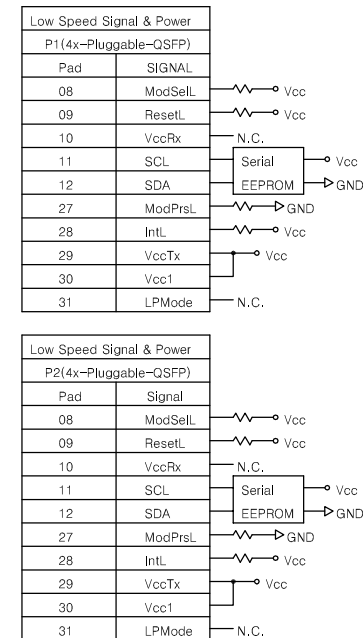
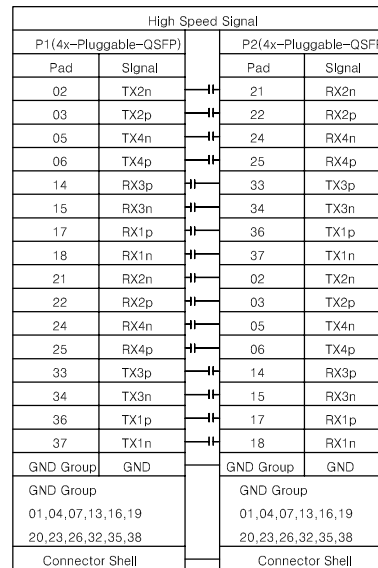
1.EVERY PRODUCT PACKED IN ANTI-STATIC BAG.  
 L≤ 3M,SIZE:0.06\*25\*30,L >3 M,SIZE:0.06\*30\*40.  
 2. PACKED IN A 46\*30\*26CM CARTON.

P/N	L
KHC_QSFP3000500	500±30mm
KHC_QSFP3001000	1000±30mm
KHC_QSFP3001500	1500±30mm
KHC_QSFP3002000	2000±50mm
KHC_QSFP3003000	3000±50mm

Supplier: KAI HONG CHUANG  
 Supplier P/N: \_\_\_\_\_  
 Customer P/N: \_\_\_\_\_  
 P/O Number: \_\_\_\_\_  
 Quantity: \_\_\_\_\_  
 EX-factory Date: \_\_\_\_\_  
 Rohs:



WIRING DIAGRAM



BILL OF MATERIAL:

ITEM	DESCRIPTION	QTY	UNIT
1	CABLE:UL20276 (30AWG*1P+D+AL)*8C+AEB BLACK OD:6.90MM	1	PCS
2	CONN: QSFP+ SHELL	2	SET
3	PCB: QSFP+ PCB	2	PCS
4	TAIL CARD BLACK	2	PCS

深圳市凯鸿创电子科技有限公司 SHEN ZHEN KHC Electronic Technology CO.,LTD				MATERIAL NO.: KHCZQSFP30XXXXX	
APPROVED _____ DESIGN STONE REVIEW _____ CHECK ELLA				CUSTOMER NO.: 100GZQSFP_30AWG	
SCALE	1:1	DATE	2018.08.15	DRAW NO.:	共1页 第1页