

1:

1. CABLE:  
 CONDUCTOR:  
 26 AWG SOLID SILVER PLATED COPPER.RF  
 INSULATION:FOAM POLYOLEFIN.  
 PAIR:2 SINGLES LAID FLAT AND PARALLEL.  
 DRAIN WIRE:32AWG SOLID SILVER PLATED COPPER.  
 PAIR SHIELD:ALUMINUM/POLYESTER TAPE.ALUMINUM SIDE FACING IN 25% OVERLAP. COLOR- YELLOW.  
 INNER SHIELD:ALUMINUM/POLYESTER TAPE,ALUMINUM SIDE PACING OUT,25% OVERLAP.  
 OUTER SHIELD:38AWG TIN PLATED COPPER BRAID ,85% COVERAGE.  
 JACKET:24AWG PVC OUTER DIA: 5.6±0.20mm NOMINAL. COLOR:BLACK.  
 DIFFERENTIAL IMPEDANCE:100±5 OHMS @TDR.  
 UL LISTED: UL20276.

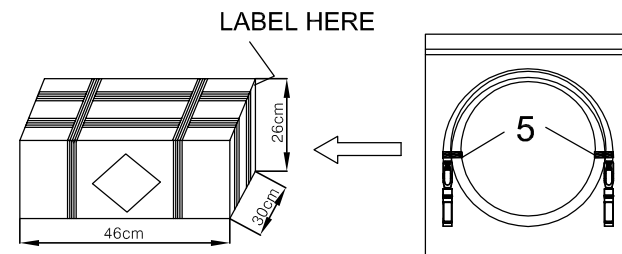
2. CONNECTOR:

P1&P2: SFP+ MODULE.  
 <1> HOOD:ZINC DIE CASTING,NICKEL PLATING.  
 <2> LATCH: PC RESIN 94 V-0,COLOR IN BLACK.  
 <3> P.C.B: 4 LAYERS,M6. 30μ" HARD GOLD ON CONTACTS.  
 <4> EEPROM: 24C04.512BYTE.

3. PULL TAB: NYLON UL94 V-0 COLOR:BLACK.

4. PACKING METHOD:

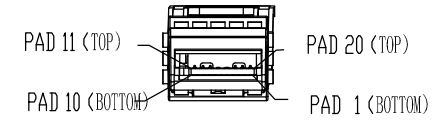
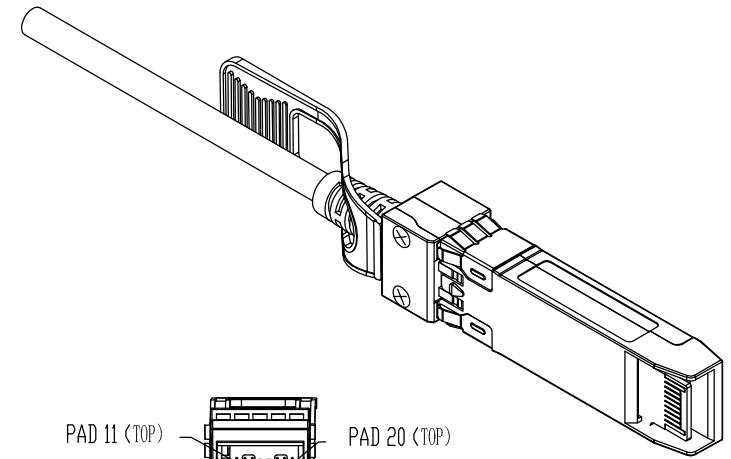
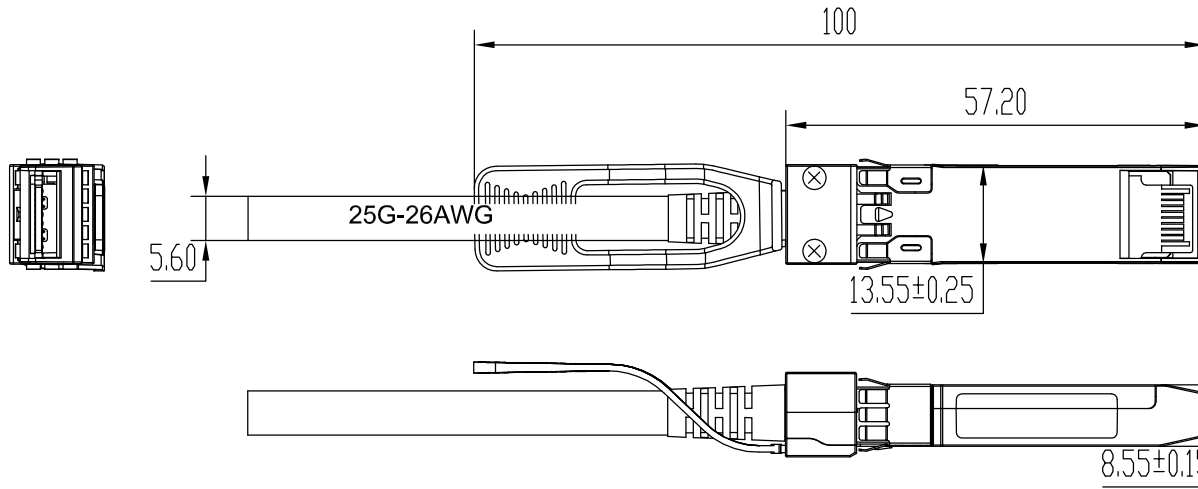
1. EACH PIECE IS PACKED IN AN ANTI-STATIC BAG .SIZE:0.06MM\*30"\*40"
2. PACKED IN A 46\*30\*26CM CARTON.
3. REMARKS: ALL MATERIALS OF THIS PRODUCT ARE IN LINE WITH ROHS.



MATERIALS:

ITEM	DESCRIPTION	QTY	UNIT
1	CABLE:UL20276 26AWG*1P+D+AL+M.Y)*2 P+AEB (25G) BLACK OD:5.6mm	1	PCS
2	CONN: SFP+ SHELL	2	SET
3	PCB: SFP+ PCB	2	PCS
4	COPPER FOIL:W*L=5*40MM	2	PCS
5	VELCRO:W*L=10*70MM	2	PCS

深圳市凯鸿创电子科技有限公司 SHEN ZHEN KHC Electronic Technology CO.,LTD				MATERIAL NO.: KHCZSFP26XXXXX	
APPROVED		DESIGN	STONE	CUSTOMER NO.: 25GZSFP_26AWG	
REVIEW		CHECK	ELLA		
SCALE	1:1	DATE	2019.08.15	DRAW NO.:	共2页 第2页



WIRING DIAGRAM				
P1 END			P2 END	
PAD	SIGNAL		PAD	SIGNAL
12	RD -	←	19	TD -
13	RD +	←	18	TD +
18	TD +	→	13	RD +
19	TD -	→	12	RD -

LOW SPEED SIGNALS	
SFP+	
PAD	SIGNAL
02	Tx_Fault
03	Tx_Disable
04	SDA
05	SCL
06	Mod_ABS
07	RS0
08	Rx_LOS
09	RS1
15	VccR
16	VccT

TABLE1 (25G_ZSFP)				
物料编号	长度	公差 MM	线材	线径 OD(MM)
KHCZSFP2603000	3.0M	±50	26AWG	5.6±0.2
KHCZSFP2603500	3.5M	±80	26AWG	5.6±0.2
KHCZSFP2604000	4.0M	±80	26AWG	5.6±0.2
KHCZSFP2605000	5.0M	±100	26AWG	5.6±0.2

**LABEL**

Supplier: KAI HONG CHUANG

Supplier P/N: \_\_\_\_\_

Customer P/N: \_\_\_\_\_

P/O Number: \_\_\_\_\_

Quantity: \_\_\_\_\_

EX-factory Date: \_\_\_\_\_

Rohs:

深圳市凯鸿创电子科技有限公司 SHEN ZHEN KHC Electronic Technology CO.,LTD				MATERIAL NO.: KHCZSFP26XXXXX	
APPROVED		DESIGN	STONE	CUSTOMER NO.: 25GZSFP_26AWG	
REVIEW		CHECK	ELLA		
SCALE	1:1	DATE	2019.08.15	DRAW NO.:	共2页 第2页