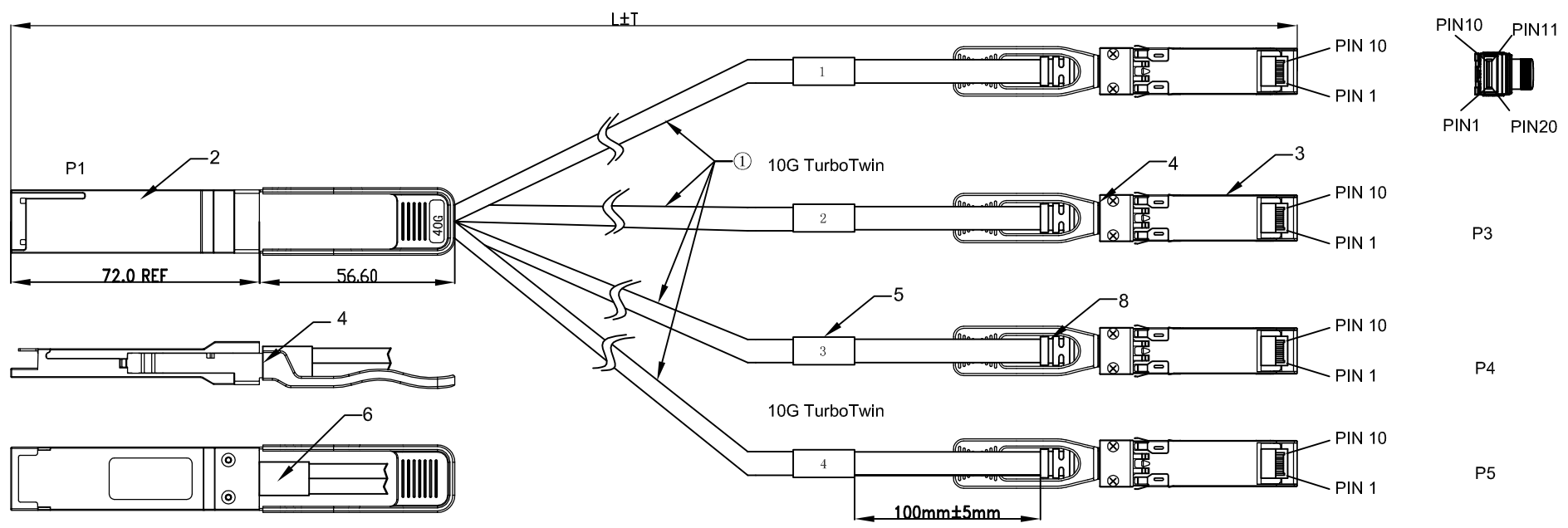
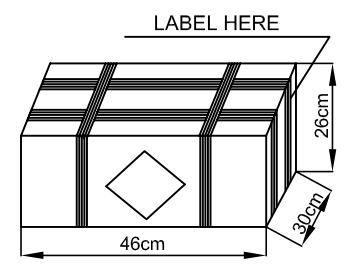
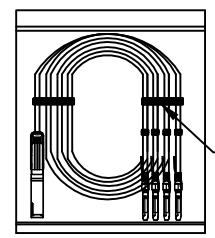
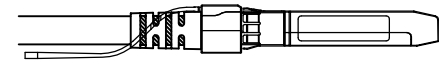


产品名称
40G 28AWG



- MATERIALS:
 1. BACKSHELLS-ZINC DIE CAST WITH BRIGHT NICKEL PLATING
 DELATCH-STAINLESS STEEL AND ZYTEL
 CONNECTOR:
 PRODUCT MATERIAL: NO. 3 ZINC ALLOY;
 PLATING FILM REQUIREMENTS: NI150U "MIN CU150" MIN
 HIGH TEMPERATURE TEST REQUIREMENTS: 80 ° C 120H
 PCB-FR4
 RIVETS-STAINLESS STEEL
 2. IMPEDANCE-100 OHMS DIFFERENTIAL
 3. LEAD FREE NO ROHS EXEMPTIONS
 2. PACKING METHOD:
 1. EACH PIECE IS PACKED IN AN ANTI-STATIC BAG . SIZE: 0.06MM*30**40"
 2. USE THE CARTON SPECIFIED IN THE PICTURE ON THE RIGHT,
 3. REMARKS: ALL MATERIALS OF THIS PRODUCT ARE IN LINE WITH ROHS.

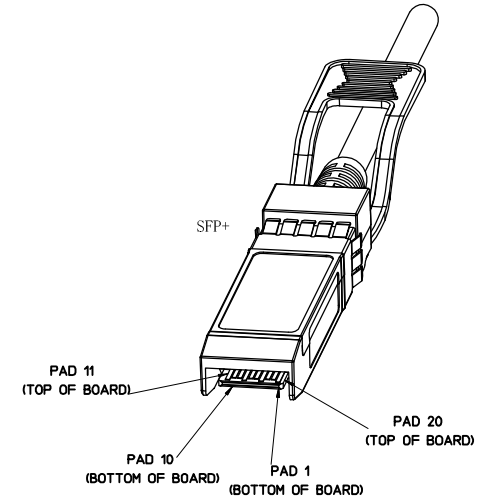
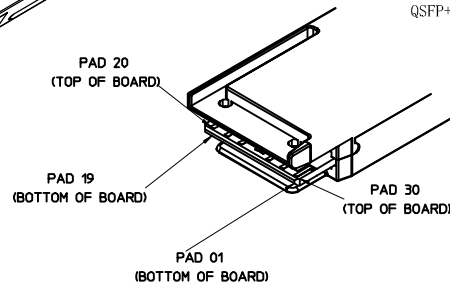
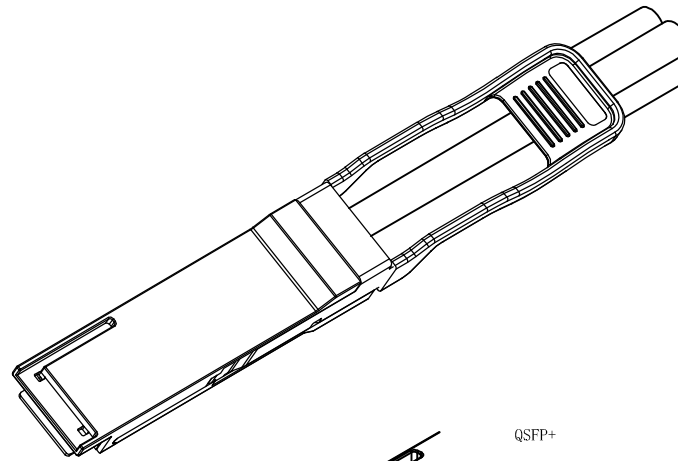
LENGTH	TOL.	AWG	OD (mm)
0.5M	± 0.03M	30	4.2 ± 0.2
1.0M	± 0.03M	30	4.2 ± 0.2
1.2M	± 0.03M	30	4.2 ± 0.2
1.5M	± 0.03M	30	4.2 ± 0.2
2.0M	± 0.03M	30	4.2 ± 0.2
2.5M	± 0.03M	30	4.2 ± 0.2
3.0M	± 0.05M	30	4.2 ± 0.2
4.0M	± 0.05M	28	4.7 ± 0.2
5.0M	± 0.08M	28	4.7 ± 0.2



8	TAIL CARD: BLACK	4	PCS
7	MAGIC BELT: SELF-ADHESIVE BLACK	6	PCS
6	CASING: Ø8.5*50MM RUBBER BLACK SLEEVE	1	PCS
5	STICKER: BLACK ON WHITE, TRANSPARENT FILM SELF-ADHESIVE	4	PCS
4	COPPER FOIL: W=5MM (GOOD ADHESION) THICKNESS 0.06MM	5	PCS
3	CONNECTOR: SFP+ (WITH PCB BOARD GOLD FINGER GOLD PLATED 30U")	4	SET
2	CONNECTOR: QSFP+ (WITH PCB BOARD GOLD FINGER GOLD PLATED 30U")	1	SET
1	UL20276 28AWG (1/0.32*1P+AE)*2P+AB (16/8/0.1TC), OUTER COVER: BLACK	4	PCS
项目	品名规格	数量	单位

深圳市凯鸿创电子科技有限公司 SHEN ZHEN KHC Electronic Technology CO.,LTD				MATERIAL NO.: KHCQ-4SFP28XXXXX	
APPROVED		DESIGN	STONE	CUSTOMER NO.:	
REVIEW		CHECK	ELLA	40G_QSFP TO 4SFP_30AWG /28AWG	
SCALE	1:1	DATE	2019.08.08	DRAW NO.:	
				共2页 第1页	

WIRING DIAGRAM				
QSFP+		SFP+		PLUG
PAD	SIGNAL	SIGNAL	PAD	
38	GND	GND		1
37	TX1-	RD-	12	
36	TX1+	RD+	13	
16	GND	GND		
17	RX1+	TD+	18	2
18	RX1-	TD-	19	
04	GND	GND		
02	TX2-	RD-	12	
03	TX2+	RD+	13	3
23	GND	GND		
22	RX2+	TD+	18	
21	RX2-	TD-	19	
35	GND	GND		4
34	TX3-	RD-	12	
33	TX3+	RD+	13	
13	GND	GND		
14	RX3+	TD+	18	
15	RX3-	TD-	19	
07	GND	GND		
05	TX4-	RD-	12	
06	TX4+	RD+	13	
26	GND	GND		
25	RX4+	TD+	18	
24	RX4-	TD-	19	



五、测试要求:

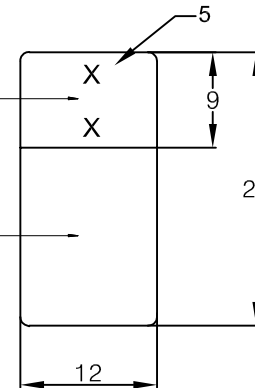
- 绝缘阻抗: 最小20M欧;
- 导通阻抗: 最大10欧;
- 高压测试: DC300V/10ms;
- 高频测试:

量测参数	标准规格
差分阻抗	100+/-5ohm
连接器阻抗	100+/-10ohm
对间延迟差	<50PS/m
对内延迟差	<21PS/m
差分延迟	5.2ns/m
衰减	Start - 50MHZ Stop - 7500MHZ Lim From -14db Lim To -28.4db

标签规格

印字: (1, 2, 3 OR 4)

透明



LOW SPEED SIGNALS	
QSFP+	
PAD	SIGNAL
08	ModSelL
09	ResetL
10	VccRx
11	SCL
12	SDA
27	ModPrsL
28	IntL
29	VccTx
30	Vcc1
31	LPMoDe

LOW SPEED SIGNALS	
SFP+	
PAD	SIGNAL
02	Tx_Fault
03	Tx_Disable
04	SDA
05	SCL
06	Mod_ABS
07	RS0
08	Rx_LOS
09	RS1
15	VccR
16	VccT

深圳市凯鸿创电子科技有限公司 SHEN ZHEN KHC Electronic Technology CO.,LTD				MATERIAL NO.: KHCQ-4SFP28XXXXX	
APPROVED		DESIGN	STONE	CUSTOMER NO.:	
REVIEW		CHECK	ELLA	40G_QSFP TO 4SFP_30AWG /28AWG	
SCALE	1:1	DATE	2019.08.08	DRAW NO.:	共2页 第2页