

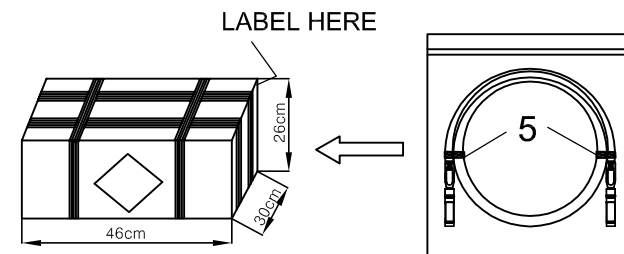
1: 1.CABLE:
 CONDUCTOR:
 24 AWG SOLID SILVER PLATED COPPER.RF
 INSULATION:FOAM POLYOLEFIN.
 PAIR:2 SINGLES LAID FLAT AND PARALLEL.
 DRAIN WIRE:32AWG SOLID SILVER PLATED COPPER.
 PAIR SHIELD:ALUMINUM/POLYESTER TAPE.ALUMINUM SIDE FACING IN 25% OVERLAP. COLOR- BLUE.
 INNER SHIELD:ALUMINUM/POLYESTER TAPE,ALUMINUM SIDE PACING OUT,25% OVERLAP.
 OUTER SHIELD:38AWG TIN PLATED COPPER BRAID ,85% COVERAGE.
 JACKET:24AWG PVC OUTER DIA: 6.0±0.20mm NOMINAL. COLOR:BLACK.
 MARKING:"BELDEN L-Skew 24A1B01-0 E357317-S (UL) TYPE CL2 FT4 24AWG
 75°C OR C(UL) CMG --- -LF- YYYY/MM/DD XXXXXM"

Note: YYYY/MM/DD means year/month/date.
 XXXXXM means continuous length.
 DIFFERENTIAL IMPEDANCE:100±5 OHMS @TDR.
 UL LISTED: UL20276.

2. CONNECTOR:
 P1&P2: SFP+ MODULE.
 <1> HOOD:ZINC DIE CASTING,NICKEL PLATING.
 <2> LATCH: PC RESIN 94 V-0,COLOR IN BLACK.
 <3> P.C.B: 4 LAYERS,FR4. 30μ" HARD GOLD ON CONTACTS.
 <4> EEPROM: 24C04.512BYTE.

3. PULL TAB: NYLON UL94 V-0 COLOR:BLACK.

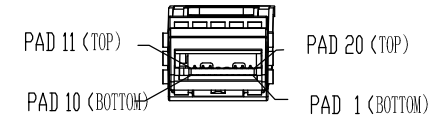
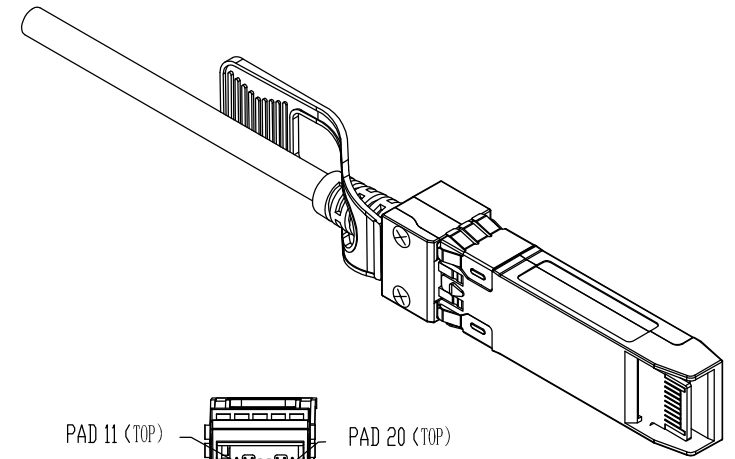
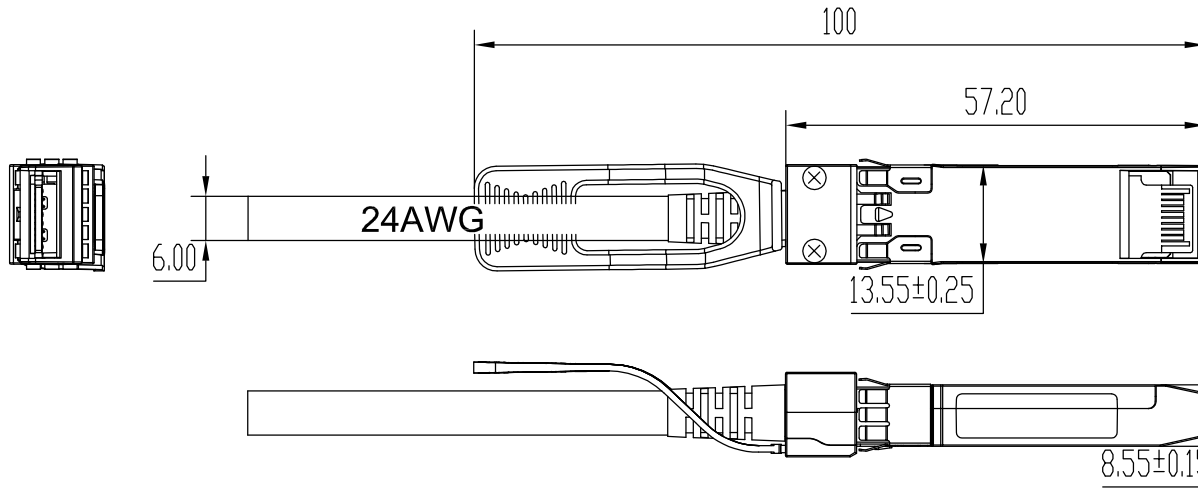
4. PACKING METHOD:
 1. EACH PIECE IS PACKED IN AN ANTI-STATIC BAG .SIZE:0.06MM*30**40"
 2. PACKED IN A 46*30*26CM CARTON.
 3. REMARKS: ALL MATERIALS OF THIS PRODUCT ARE IN LINE WITH ROHS.



MATERIALS:

ITEM	DESCRIPTION	QTY	UNIT
1	CABLE:UL20276 24AWG*1P+D+AL+M.Y)*2 P+AEB (10G) BLACK OD:6.0mm	1	PCS
2	CONN: SFP+ SHELL	2	SET
3	PCB: SFP+ PCB	2	PCS
4	COPPER FOIL:W*L=5*40MM	2	PCS
5	VELCRO:W*L=10*70MM	2	PCS

 深圳市凯鸿创电子科技有限公司  SHEN ZHEN KHC Electronic Technology CO.,LTD				MATERIAL NO.: KHCSFP24XXXXX	
APPROVED		DESIGN	STONE	CUSTOMER NO.: 10GSFP_24AWG	
REVIEW		CHECK	ELLA		
SCALE	1:1	DATE	2019.08.15	DRAW NO.:	共2页 第1页



WIRING DIAGRAM				
P1 END			P2 END	
PAD	SIGNAL		PAD	SIGNAL
12	RD -	←	19	TD -
13	RD +	←	18	TD +
18	TD +	→	13	RD +
19	TD -	→	12	RD -

LOW SPEED SIGNALS	
SFP+	
PAD	SIGNAL
02	Tx_Fault
03	Tx_Disable
04	SDA
05	SCL
06	Mod_ABS
07	RS0
08	Rx_LOS
09	RS1
15	VccR
16	VccT

TABLE1 (10G_SFP)				
物料编号	长度	公差 MM	线材	线径 OD(MM)
KHCSFP2403000	3米	±50	24AWG	6.0±0.2
KHCSFP2404000	4米	±50	24AWG	6.0±0.2
KHCSFP2405000	5米	±80	24AWG	6.0±0.2
KHCSFP2407000	7米	±80	24AWG	6.0±0.2
KHCSFP2410000	10米	±100	24AWG	6.0±0.2

LABEL

Supplier: KAI HONG CHUANG

Supplier P/N: _____

Customer P/N: _____

P/O Number: _____

Quantity: _____

EX-factory Date: _____

Rohs:

深圳市凯鸿创电子科技有限公司 SHEN ZHEN KHC Electronic Technology CO.,LTD				MATERIAL NO.: KHCSFP24XXXXX	
APPROVED		DESIGN	STONE	CUSTOMER NO.: 10GSFP_24AWG	
REVIEW		CHECK	ELLA		
SCALE	1:1	DATE	2019.08.15	DRAW NO.:	共2页 第2页